

Electrical Rating

1 Input Voltage Range	12VDC-48VDC
2 Rated Working Voltage	24VDC
3 Phase Output Current (RMS/Peak)	10A/15A
4 PWM Frequency	20KHZ
5 PID Position Control Frequency	10KHZ

Interface

1 Digital interface(Pulse)	Position Pulse Inputs;Direction Inputs
2 Digital interface(Protocol)	RS485;CAN
3 DIP Switch	3-bit address for CAN/RS485

Communication

1 RS485	MAX.115200bps
2 CAN	CAN 2.0A;MAX.1000Kbps

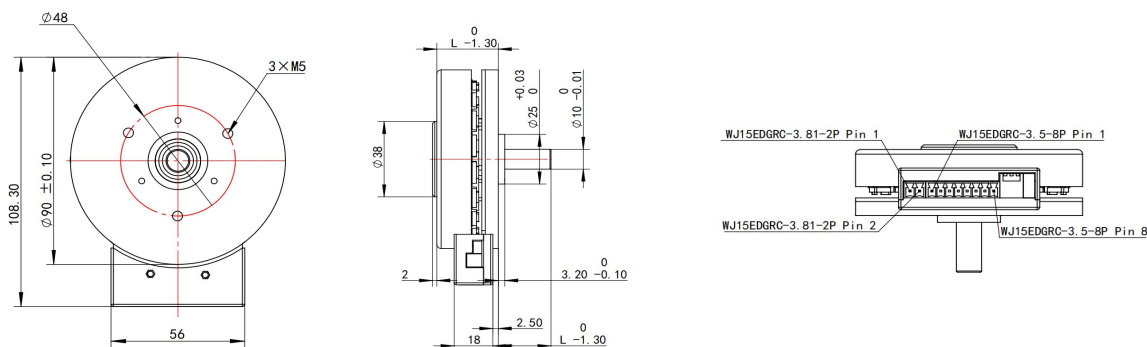
Protection

1 Drive Overcurrent	20A(Phase current)
2 Drive Thermal Shutdown Temperature	100°C

Mechanical Spec

1 Storage Temp	-40°C --- +85°C
2 Operating Temp	-40°C --- +85°C

Dimensional drawing



Option, cable and connection information

Power Input WJ15EDGRC-3.81-2P			
VDC input	Pin 1	GND	Pin 2
Control Input WJ15EDGRC-3.5-8P			
Pulse+	Pin 1	Pulse-	Pin 2
Direction+	Pin 2	Direction-	Pin 3
RS485A	Pin 5	RS485B	Pin 6
CAN+	Pin 7	CAN-	Pin 8