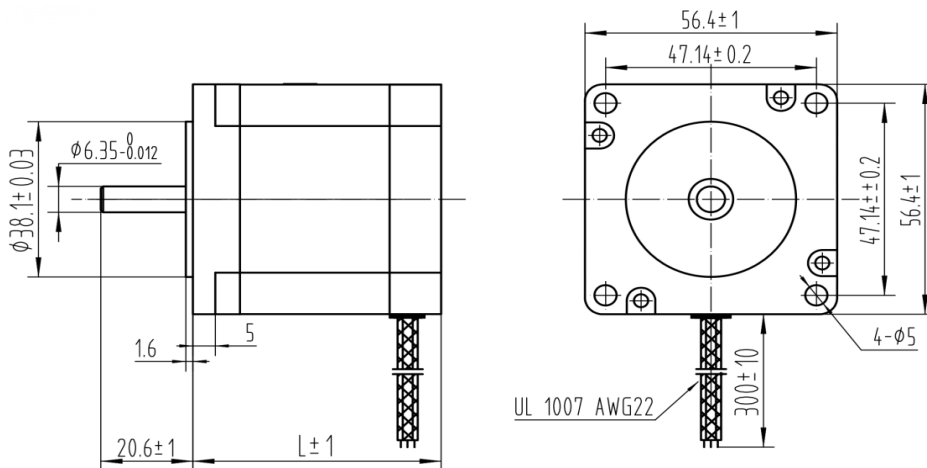


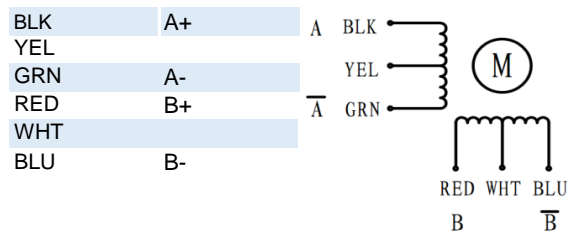
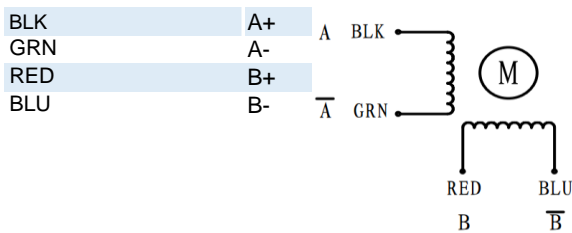
Motor Data							
Motor Codes	57STH41-2006MA	57STH41-2804MA	57STH56-2006MA	57STH56-2804MA	57STH76-2006MA	57STH76-2804MA	
1 Voltage/Phase	2.8	2	3.6	2.5	4.5	3.2	V
2 Current/Phase	2	2.8	2	2.8	2	2.8	A
3 Resistance/Phase	1.4	0.7	1.8	0.9	2.25	1.13	Ω
4 Inductance/Phase	2.2	2.2	4.5	4.5	5.6	5.6	mH
5 Holding Torque	39	55	90	126	135	189	N.cm
6 NO. Leads	6	4	6	4	6	4	
7 Rotor Inertia	120	120	300	300	480	480	gcm ²
8 Length	41	41	56	56	76	76	mm
9 Weight	0.45	0.45	0.7	0.7	1	1	kg
General specifications							
10 Step angle	0.9°						
11 Step Angle Accuracy	±5% (full step, no load)						
12 Resistance Accuracy	±10%						
13 Inductance Accuracy	±20%						
14 Insulation Resistance	500VDC 100MΩMin						
15 Dielectric Strength	500VAC 1 minute						
16 Ambient Temperature	-20°C -- +50°C						
17 Temperature Rise	80°C Max(rated current)						
18 Shaft Axial Play	0.08mm Max(450g load)						
19 Shaft Radial Play	0.02mm Max(450g load)						
20 Max Axial Force	15N						
21 Max Radial Force	75N(20mm from the flange)						
22 Insulation Class	B						

Dimensional drawing



Option, cable and connection information

Connection Motor (UL1007 AWG22)



Note: About the torque curves, please contact us for more information.
www.nuelectronics.com