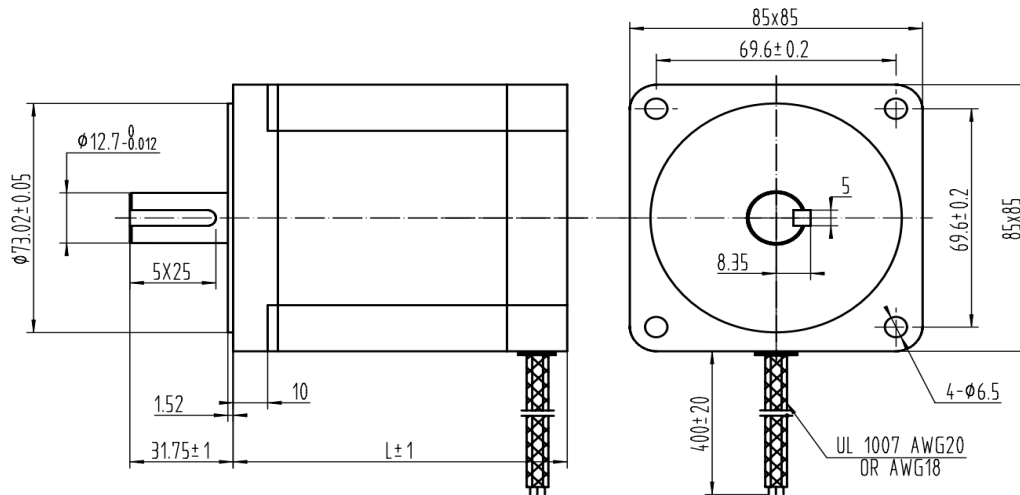


Motor Data	85STH65-5904A	85STH65-2808A	85STH80-5504A	85STH80-4208A	85STH118-6004A	85STH118-4208A	85STH156-6204A	85STH156-4208A	
Motor Codes	85STH65-5904A	85STH65-2808A	85STH80-5504A	85STH80-4208A	85STH118-6004A	85STH118-4208A	85STH156-6204A	85STH156-4208A	
1 Voltage/Phase	1.65	3.92	2.53	3.18	3.6	3.78	4.65	5.25	V
2 Current/Phase	5.9	2.8	5.5	4.2	6	4.2	6.2	4.2	A
3 Resistance/Phase	0.28	1.4	0.46	0.75	0.6	0.9	0.75	1.25	Ω
4 Inductance/Phase	1.7	3.9	4.0	3.4	6.5	6	9	8	mH
5 Holding Torque	340	340	460	460	870	870	1220	1220	N.cm
6 NO. Leads	4	8	4	8	4	8	4	8	
7 Rotor Inertia	1000	1000	1400	1400	2700	2700	4000	4000	gcm ²
8 Length	65	65	80	80	118	118	156	156	mm
9 Weight	1.8	1.8	2.4	2.4	3.8	3.8	5.4	5.4	kg
General specifications									
10 Step angle	1.8°								
11 Step Angle Accuracy	±5% (full step, no load)								
12 Resistance Accuracy	±10%								
13 Inductance Accuracy	±20%								
14 Insulation Resistance	500VDC 100MΩMin								
15 Dielectric Strength	500VAC 1 minute								
16 Ambient Temperature	-20°C-- +50°C								
17 Temperature Rise	80°C Max(rated current)								
18 Shaft Axial Play	0.08mm Max(450g load)								
19 Shaft Radial Play	0.02mm Max(450g load)								
20 Max Axial Force	80N								
21 Max Radial Force	220N(20mm from the flange)								
22 Insulation Class	B								

Dimensional drawing



Option, cable and connection information

Connection Motor (UL1007 AWG20/AWG18)

