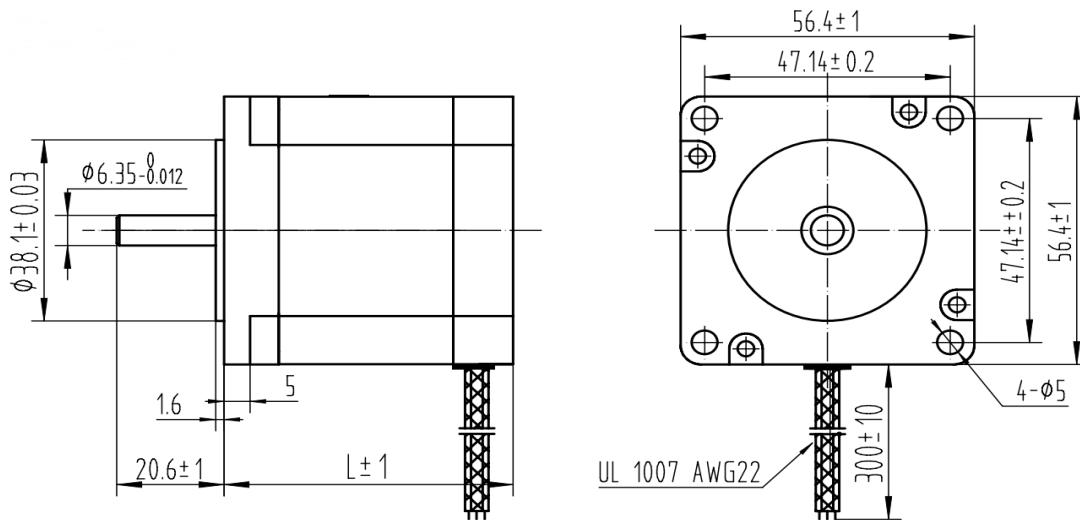


1.8° 57mm 2 Phase Hybrid Stepping Motor

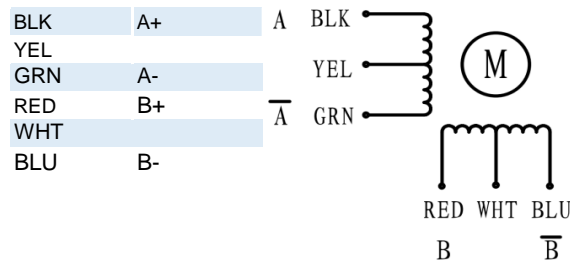
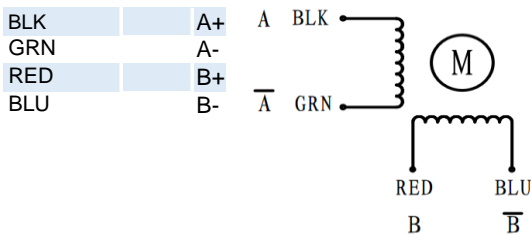
Motor Data									
Motor Codes	57STH41-2006A	57STH41-2804A	57STH51-2006A	57STH51-2804A	57STH56-2006A	57STH56-2804A	57STH76-2006A	57STH76-2804A	
1 Voltage/Phase	2.8	2	3.3	2.3	3.6	2.5	4.5	3.2	V
2 Current/Phase	2	2.8	2	2.8	2	2.8	2	2.8	A
3 Resistance/Phase	1.4	0.7	1.65	0.83	1.8	0.9	2.25	1.13	Ω
4 Inductance/Phase	1.4	1.4	2.2	2.2	2.5	2.5	3.6	3.6	mH
5 Holding Torque	39	55	72	101	90	126	135	189	N.cm
6 NO. Leads	6	4	6	4	6	4	6	4	
7 Rotor Inertia	120	120	275	275	300	300	480	480	gcm ²
8 Length	41	41	51	51	56	56	76	76	mm
9 Weight	0.45	0.45	0.61	0.61	0.7	0.7	1	1	kg
General specifications									
10 Step angle	1.8°								
11 Step Angle Accuracy	±5% (full step, no load)								
12 Resistance Accuracy	±10%								
13 Inductance Accuracy	±20%								
14 Insulation Resistance	500VDC 100MΩMin								
15 Dielectric Strength	500VAC 1 minute								
16 Ambient Temperature	-20°C-- +50°C								
17 Temperature Rise	80°C Max(rated current)								
18 Shaft Axial Play	0.08mm Max(450g load)								
19 Shaft Radial Play	0.02mm Max(450g load)								
20 Max Axial Force	15N								
21 Max Radial Force	75N(20mm from the flange)								
22 Insulation Class	B								

Dimensional drawing



Option, cable and connection information

Connection Motor (UL1007 AWG22)



Note: About the torque curves, please contact us for more information.
www.nuelectronics.com