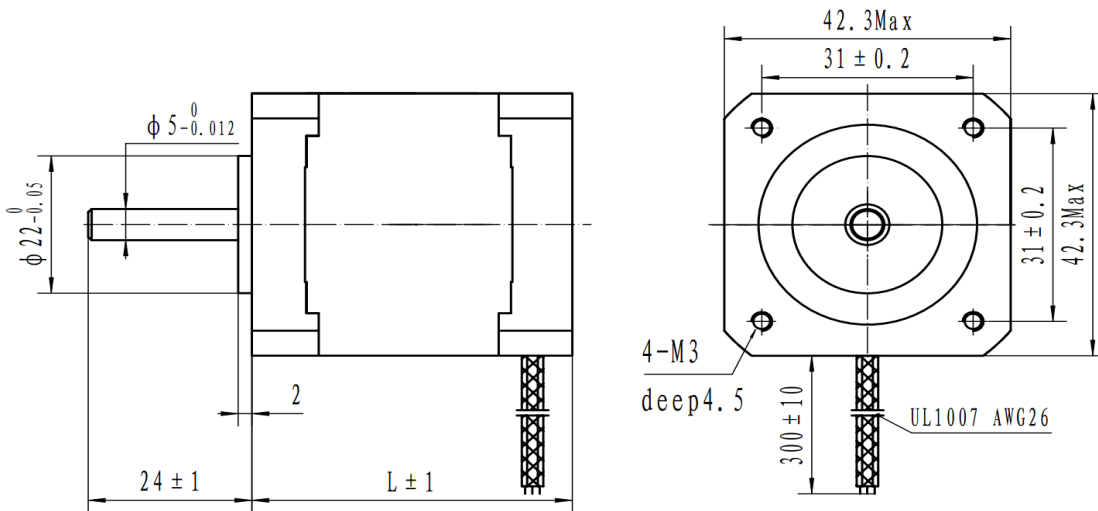


Motor Data	42STH33-0956A	42STH33-1334A	42STH38-1206A	42STH38-1684A	42STH47-1206A	42STH47-1684A	
Motor Codes	42STH33-0956A	42STH33-1334A	42STH38-1206A	42STH38-1684A	42STH47-1206A	42STH47-1684A	
1 Voltage/Phase	4	2.8	4	2.8	4	2.8	V
2 Current/Phase	0.95	1.33	1.2	1.68	1.2	1.68	A
3 Resistance/Phase	4.2	2.1	3.3	1.65	3.3	1.65	Ω
4 Inductance/Phase	2.5	2.5	3.2	3.2	2.8	2.8	mH
5 Holding Torque	16	22	26	36	31.7	44	N.cm
6 NO. Leads	6	4	6	4	6	4	
7 Rotor Inertia	35	35	54	54	68	68	gcm ²
8 Length	33	33	38	38	47	47	mm
9 Weight	0.22	0.22	0.28	0.28	0.35	0.35	kg
General specifications							
10 Step angle	1.8°						
11 Step Angle Accuracy	±5% (full step, no load)						
12 Resistance Accuracy	±10%						
13 Inductance Accuracy	±20%						
14 Insulation Resistance	500VDC 100MΩMin						
15 Dielectric Strength	500VAC 1 minute						
16 Ambient Temperature	-20°C-- +50°C						
17 Temperature Rise	80°C Max(rated current)						
18 Shaft Axial Play	0.08mm Max(450g load)						
19 Shaft Radial Play	0.02mm Max(450g load)						
20 Max Axial Force	10N						
21 Max Radial Force	28N(20mm from the flange)						
22 Insulation Class	B						

Dimensional drawing



Option, cable and connection information

Connection Motor (UL1007 AWG26)

